

Masport[®] Heating

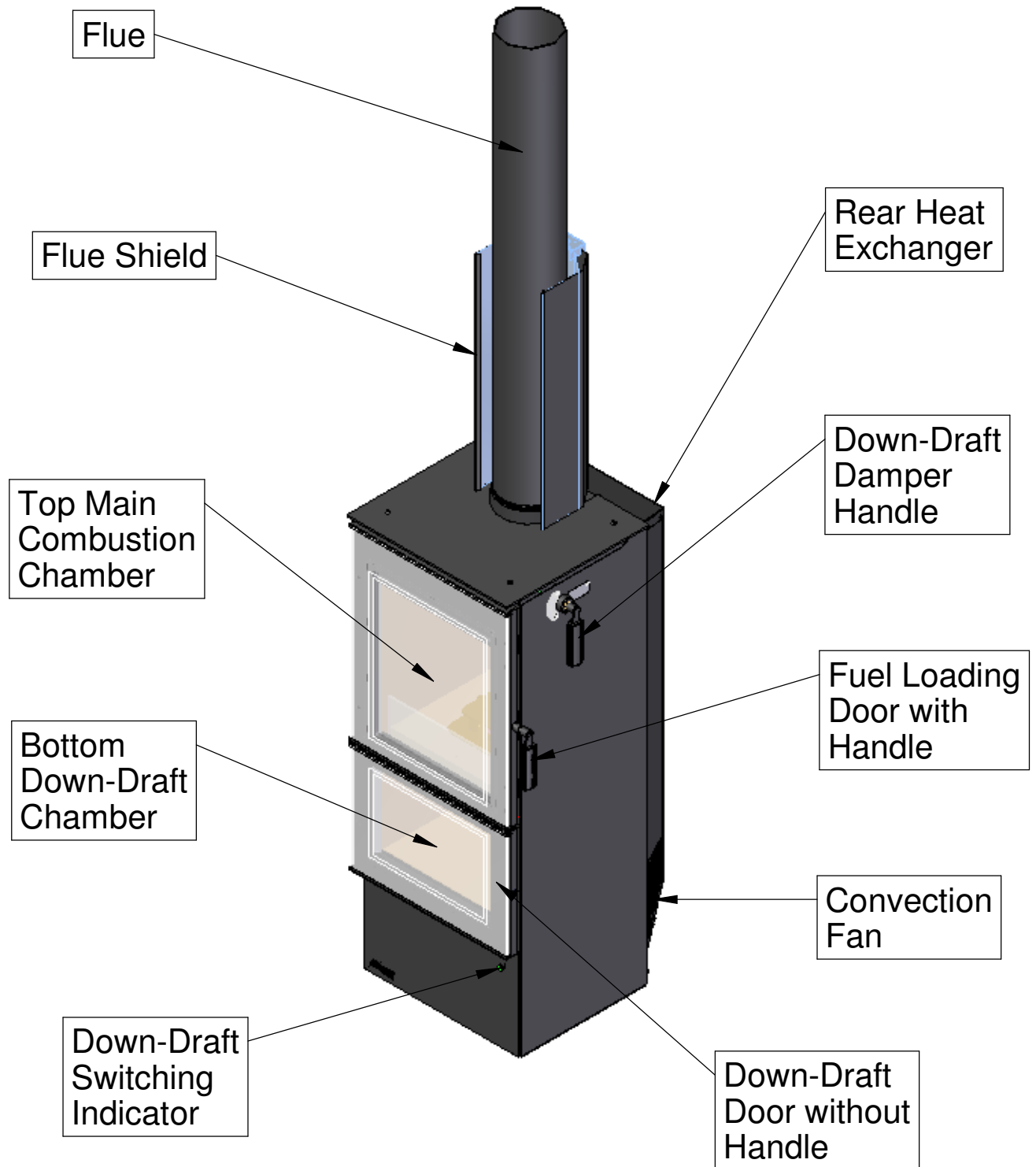
FREESTANDING WOOD FIRES

MYSTIQUE - NEW ZEALAND

Item No.	MARKET	FUEL TYPE	FINISHING	YEAR	FAN
998951	NZ	HARDWOOD	Metallic Black VHT Paint	May-2016	Yes

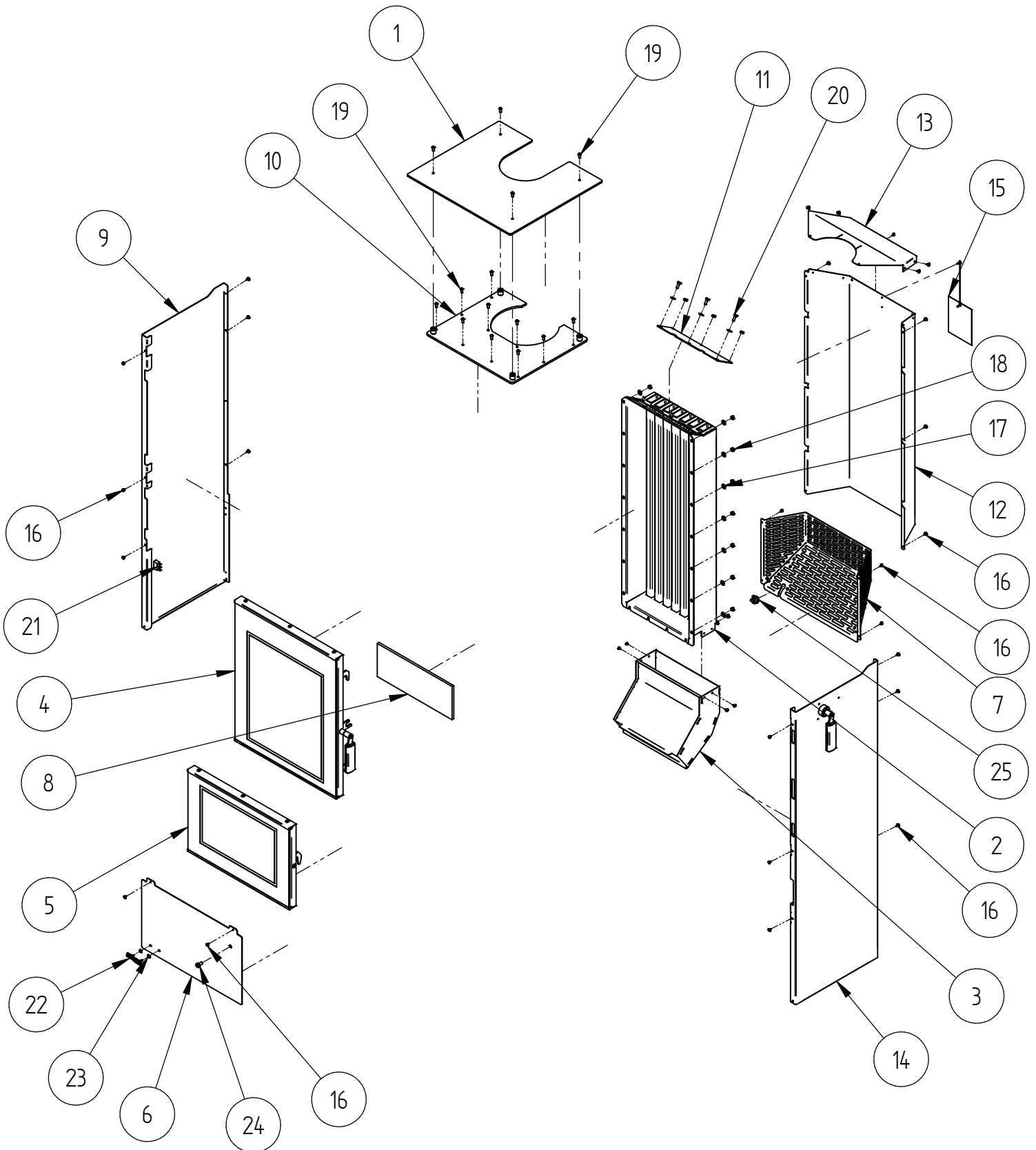


SCHEMATIC OF MYSTIQUE



When ordering PLEASE QUOTE PART ID, MODEL Number & DESCRIPTIONS, NOT ITEM Number
determining left hand side from viewing position

PANELS AND DOORS

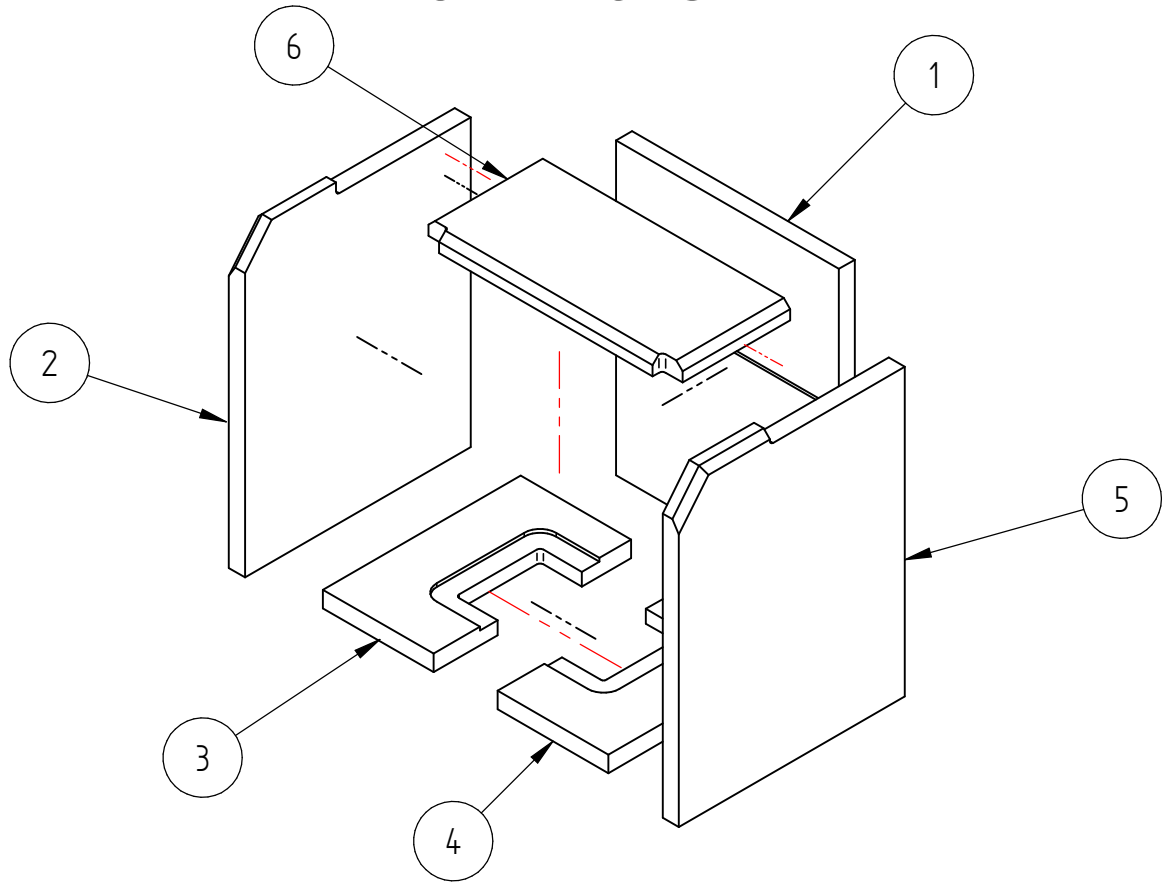


When ordering PLEASE QUOTE PART ID, MODEL Number & DESCRIPTIONS, NOT ITEM Number
determining left hand side from viewing position

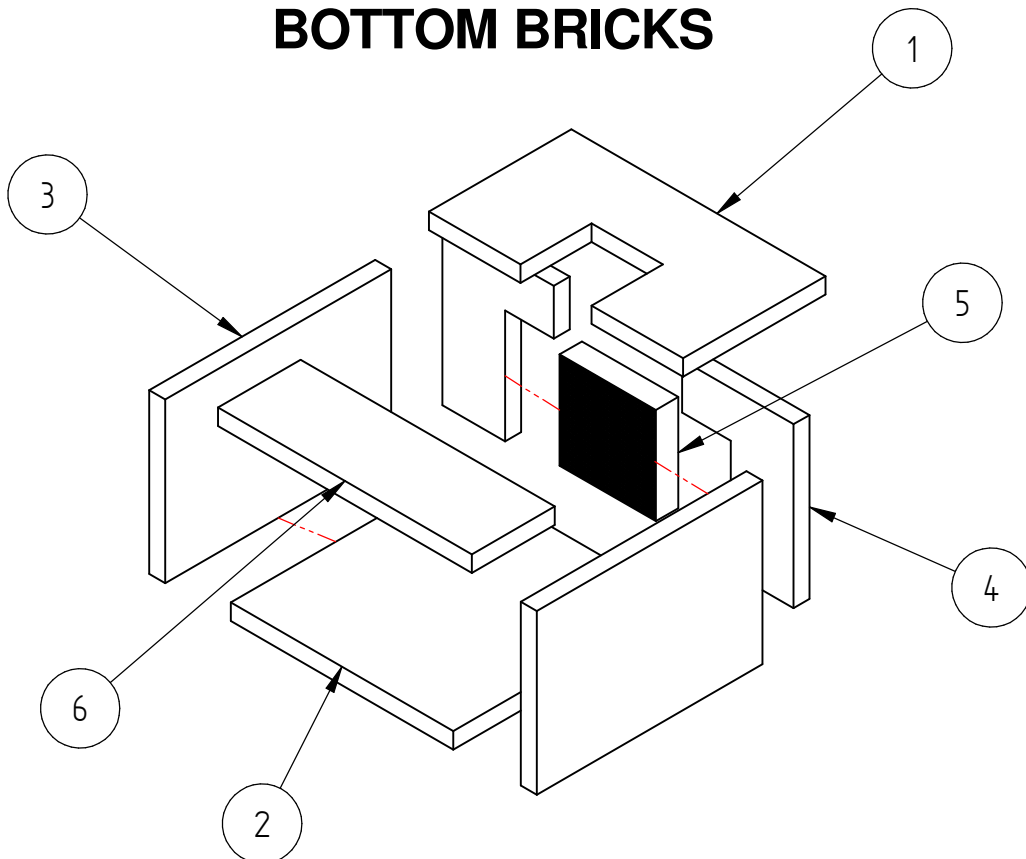
PANELS AND DOORS				
Item	Part ID	Model(s)	Description	Qty
		998951		
1	998564	V02	M TOP OUTER PANEL	1
2	998040	-	HEAT EXCHANGER ASSEMBLY	1
3	998512	-	DUCTING WELDED ASSY	1
4	998545	-	UPPER CHAMBER DOOR COMPLETE	1
5	998565	-	LOWER CHAMBER DOOR COMPLETE	1
6	998460	V02	FRONT PANEL ASSEMBLY	1
7	998517	V02	DD FAN COVER	1
8	598395	-	DD GRATE GLASS	1
9	998414	V02	DD SIDE PANEL L/H	1
10	998563	-	DD HEAT SINK ASSY	1
11	998081	V02	HEAT EXCHANGER TOP COVER	1
12	998516	V02	DD REAR PANEL	1
13	998515	V02	DD REAR PANEL CAP	1
14	998642	V02	DD SIDE PANEL R/H COMPLETE	1
15	598129	-	KRR Compliance plate	1
16	521627	-	SCREW; S/T 8GX3/8" MUSH FLANGE POZI BLK	33
17	522117	-	NUT; HEX STD M6 ZP	21
18	523007	-	WASHER; FLAT 1/4"X5/8"X18G ZP	21
19	521810	-	SCREW; CAP M6X12 BUTTON ALLEN BLK	14
20	521076	-	SCREW; M6X16 HEX ZP	3
21	503674	-	SWITCH - ON/OFF/ON GASFIRE	1
22	587835	-	BADGE MASPORT HEATING	1
23	526001	-	CLIP; STARLOCK M4	2
24	598661	-	DD, LED LIGHT PANEL GROMET	1
25	529201	-	CLAMP - CABLE GRIPPER	1

When ordering PLEASE QUOTE PART ID, MODEL Number & DESCRIPTIONS, NOT ITEM Number
determining left hand side from viewing position

TOP BRICKS



BOTTOM BRICKS



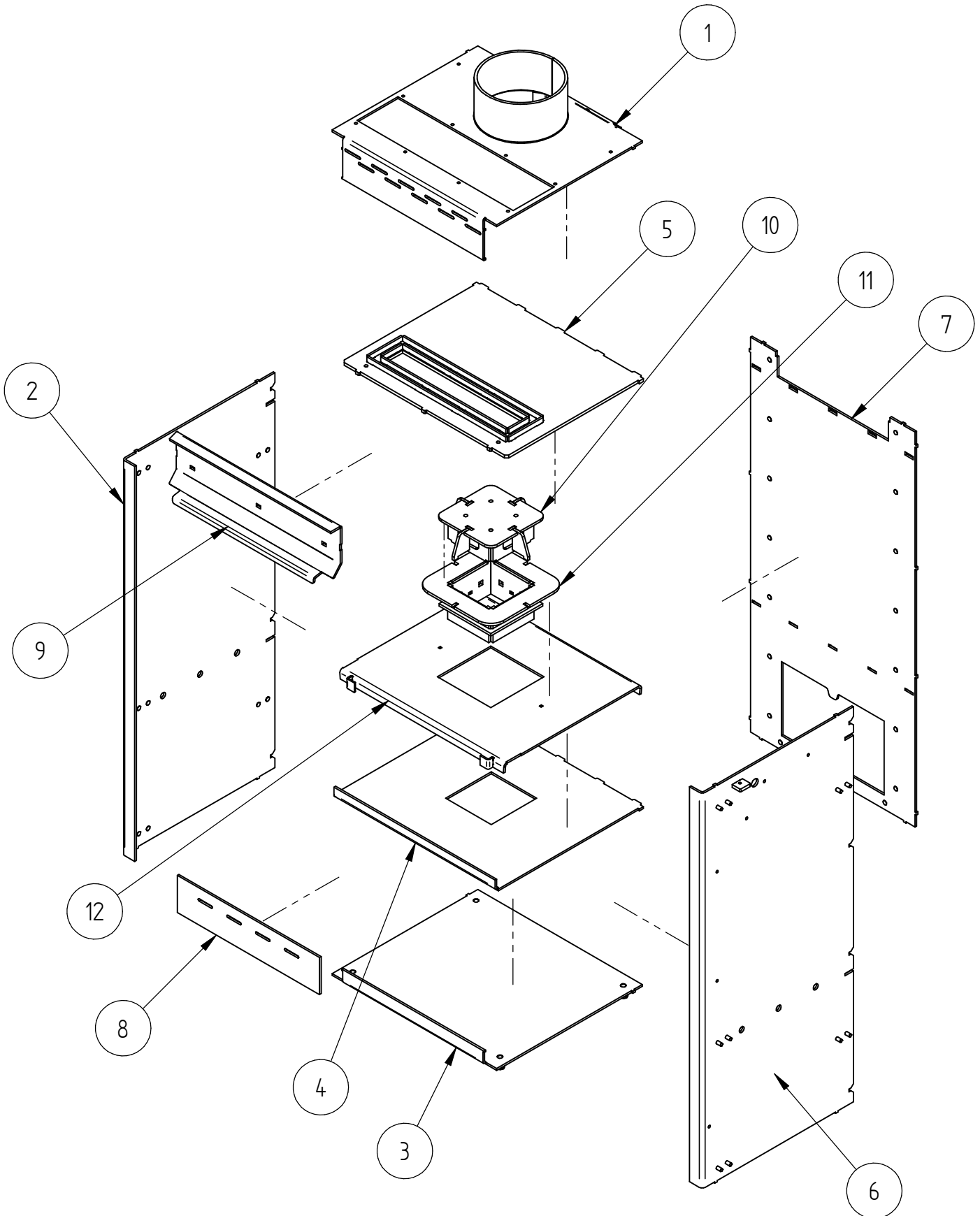
When ordering PLEASE QUOTE PART ID, MODEL Number & DESCRIPTIONS, NOT ITEM Number
determining left hand side from viewing position

TOP BRICKS				
Item	Part ID	Model(s)	Description	Qty
		998951		
1	998130	-	DD UC REAR BRICK	1
2	998669	-	DD UC SIDE BRICK LH	1
3	998611	-	DD UC BASE BRICK LH	1
4	998612	-	DD UC BASE BRICK RH	1
5	998131	-	DD UC SIDE BRICK RH	1
6	998151	-	DD UC TOP BRICK	1

BOTTOM BRICKS				
Item	Part ID	Model(s)	Description	Qty
		998951		
1	998133	-	DD LC BRICK TOP REAR	1
2	998135	-	DD LC BASE BRICK	1
3	998136	-	DD LC SIDE BRICK	2
4	998137	-	DD LC REAR BRICK	2
5	598407	-	CERAMIC BLOCK	1
6	998567	-	DD LC TOP FRONT BRICK	1

When ordering PLEASE QUOTE PART ID, MODEL Number & DESCRIPTIONS, NOT ITEM Number
determining left hand side from viewing position

FIREBOX DETAILS -

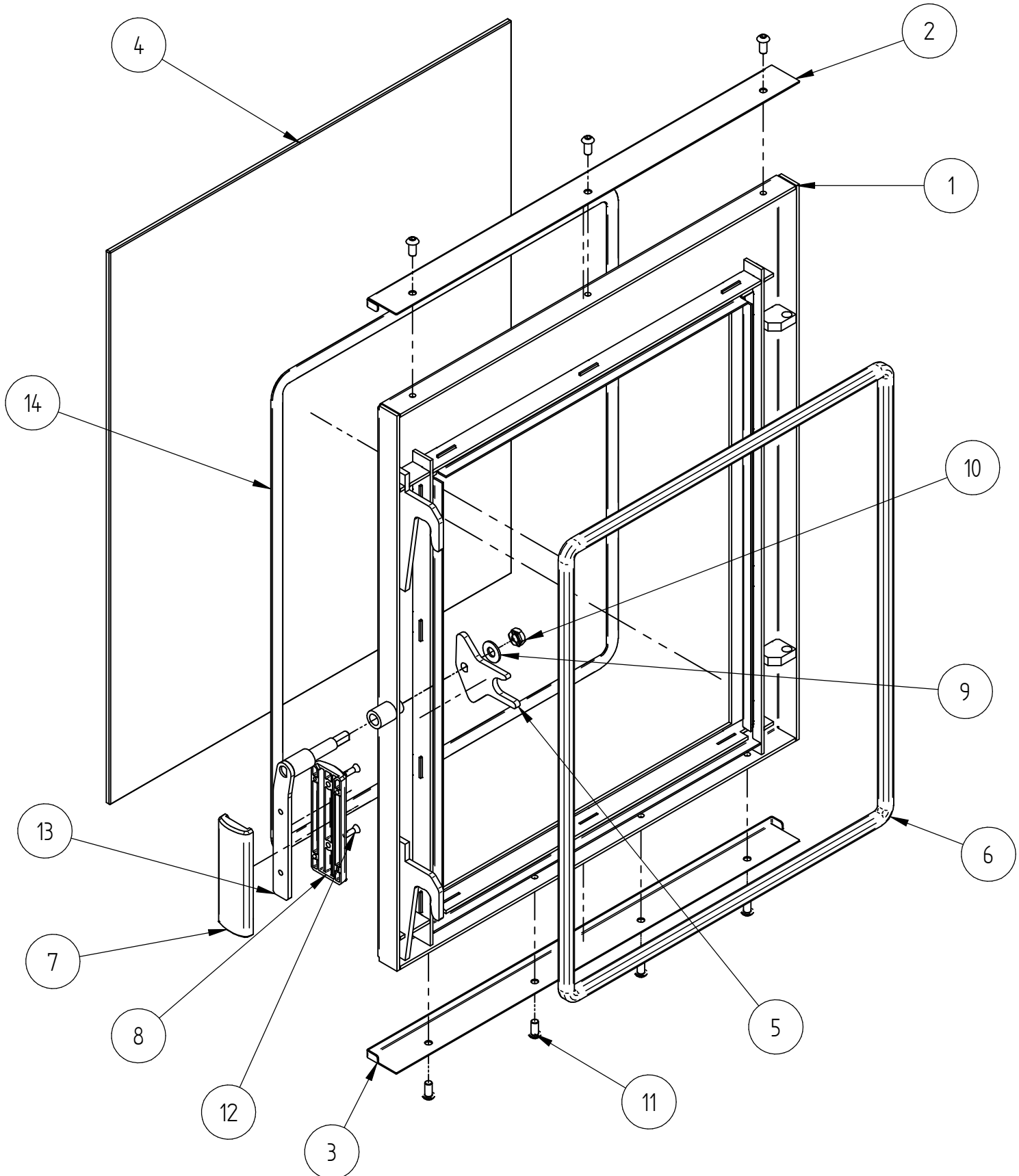


When ordering PLEASE QUOTE PART ID, MODEL Number & DESCRIPTIONS, NOT ITEM Number
determining left hand side from viewing position

FIRE BOX : 998002				
Item	Part ID	Model(s)	Description	Qty
		998951		
1	998441	-	DD F/B TOP SUB ASSEMBLY	
2	998023	-	DD FB LH SIDE PANEL ASSEMBLY	
3	998021	-	DD FB LC BASE PANEL ASSEMBLY	
4	998022	-	DD FB MIDDLE FLOOR PANEL	1
5	998055	-	DD GAS DISCHARGE PLATE ASSEMBLY	1
6	998620	-	DD FB RH SIDE PANEL ASSEMBLY	1
7	998025	-	DD FB REAR PANEL ASSEMBLY	1
8	998333	-	DD FB FRONT PANEL	1
9	998041	-	DD FB DEFLECTOR	1
10 *	998605	-	INJECTOR TOP	1
11 *	998608	-	INJECTOR LOWER	1
12 *	998084	-	RAISED FLOOR SUB ASSEMBLY	1

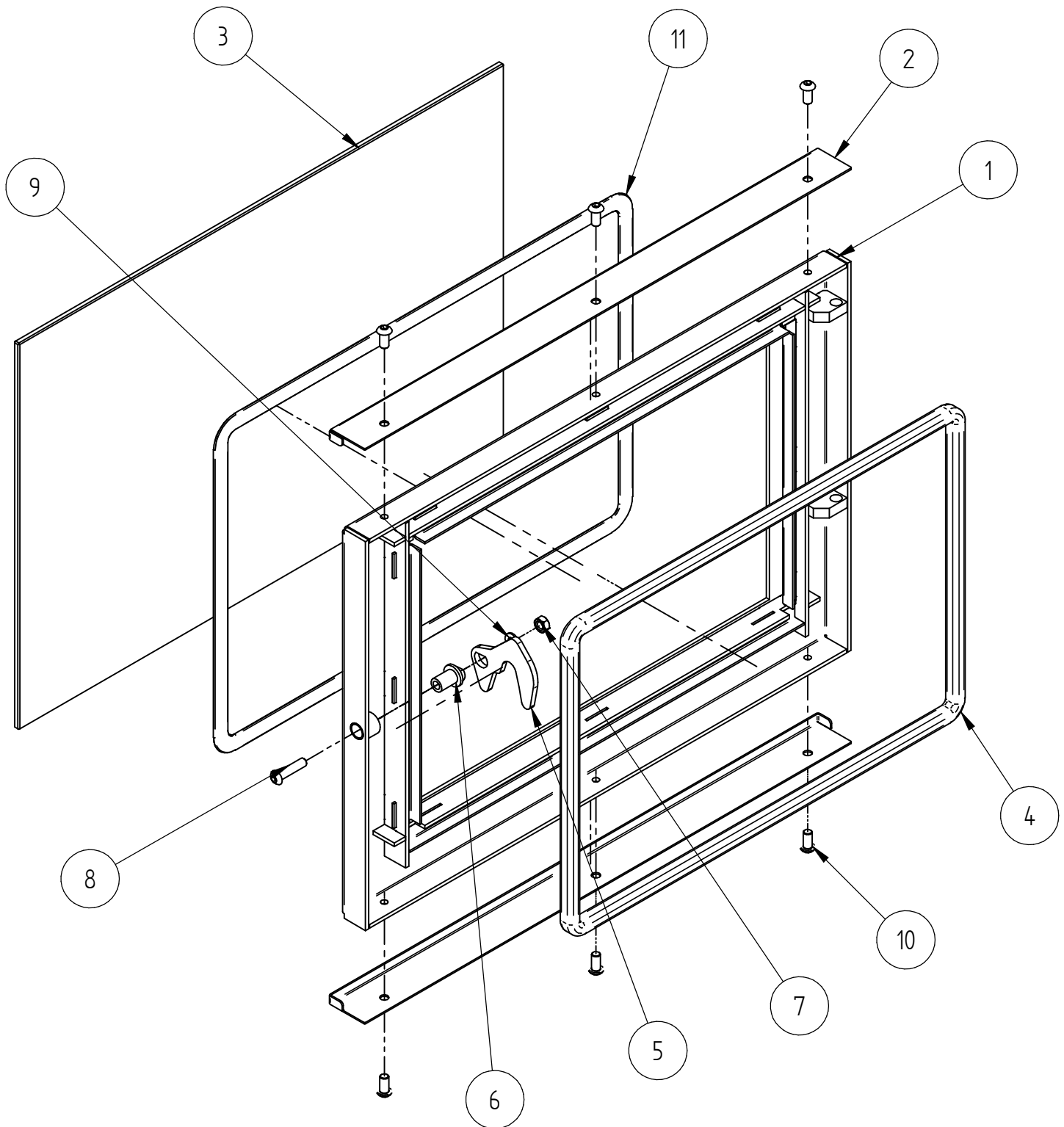
* PART 10, 11 & 12 ARE NOT PART OF FIREBOX

UPPER DOOR ASSEMBLY



When ordering PLEASE QUOTE PART ID, MODEL Number & DESCRIPTIONS, NOT ITEM Number
determining left hand side from viewing position

LOWER DOOR ASSEMBLY



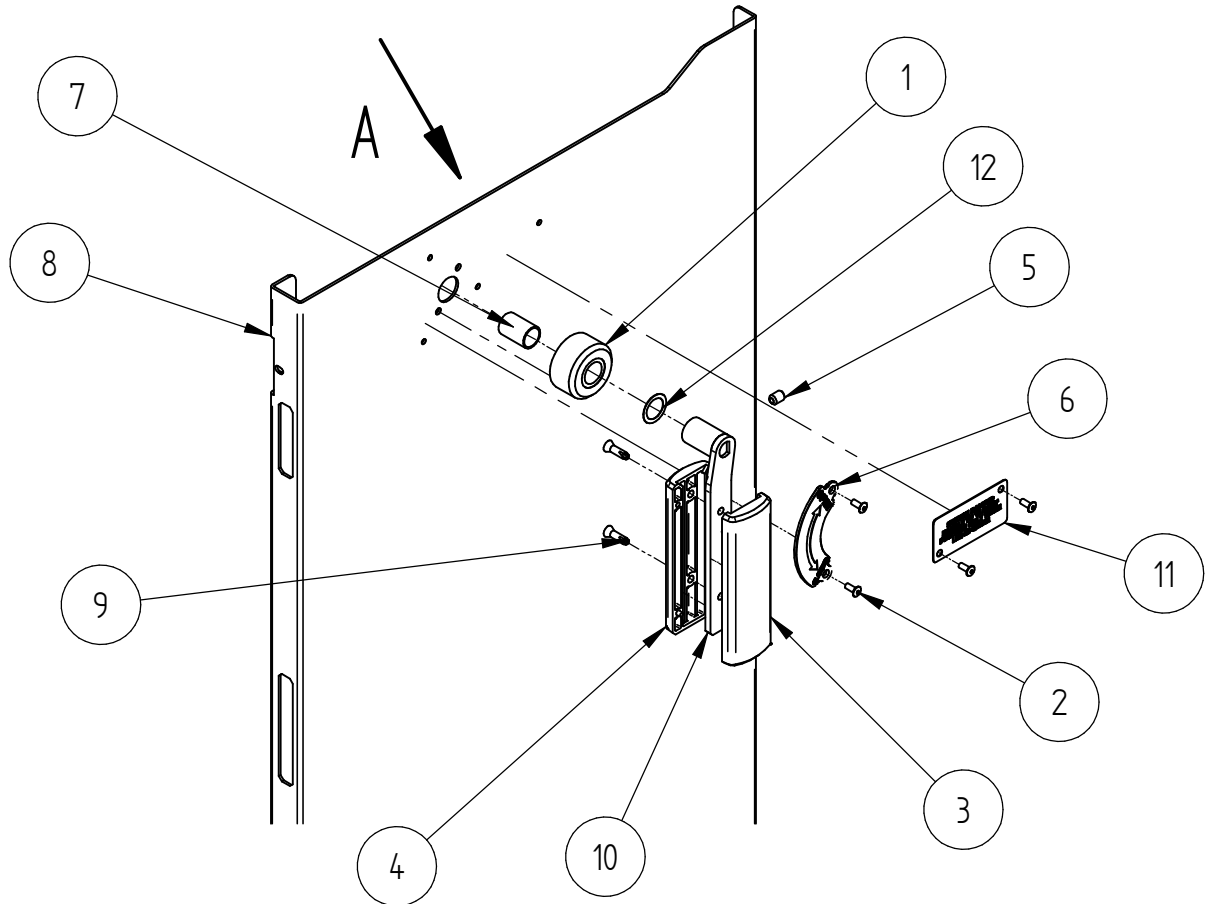
When ordering PLEASE QUOTE PART ID, MODEL Number & DESCRIPTIONS, NOT ITEM Number
determining left hand side from viewing position

UPPER DOOR ASSEMBLY : 998545				
Item	Part ID	Model(s)	Description	Qty
		998951		
1	998630	V02	DD UPPER DOOR	1
2	998342	V02	DD GLASS RETAINER 3 HOLE	1
3	998613	V02	DD GLASS RETAINER 4 HOLE	1
4	598340	-	DD GLASS TOP 458X545X5	1
5	998482	-	DD UPPER DOOR LATCH	1
6	598561	-	DD DOOR ROPE TOP	1
7	593598	-	I3000 DOOR HANDLE FRONT RH PLASTIC	1
8	598599	-	DOOR HANDLE REAR L/H PLASTIC	1
9	523034	-	WASHER; FLAT M8X19X1.6 ZP	1
10	522908	-	NUT; BINX M8 ZP	1
11	9521810	-	SCREW; CAP M6X12 BUTTON ALLEN BLK	7
12	521650	-	SCREW; 8GX5/8" S/S TYPE 25 C/S POZI	2
13	998632	-	DD UPPER DOOR HANDLE	1
14	598660	-	DD GLASS ROPE TOP	1.8

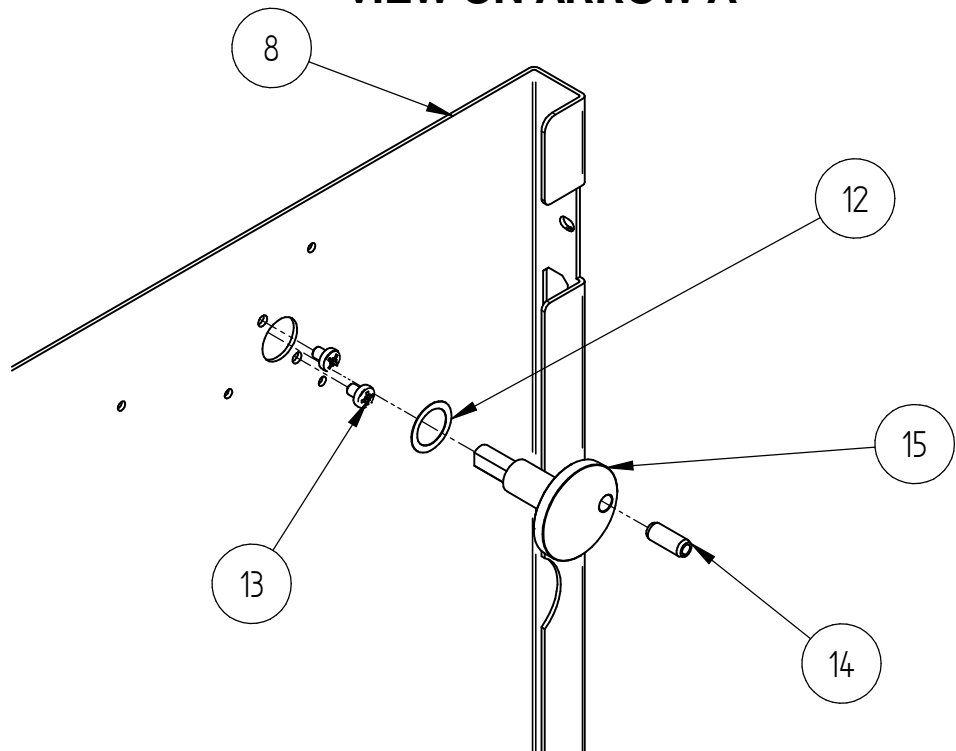
LOWER DOOR ASSEMBLY : 998565				
Item	Part ID	Model(s)	Description	Qty
		998951		
1	998631	V02	DD LOWER DOOR	1
2	998342	V02	DD GLASS RETAINER 3 HOLE	2
3	598341	-	DD GLASS BOTTOM 458X351X5	1
4	598562	-	DD DOOR ROPE BOTTOM	1
5	998575	-	DD DOOR LATCH BOTTOM	1
6	598577	-	DD LOWER DOOR INNER BUSH	1
7	522117	-	NUT; HEX STD M6 ZP	1
8	521088	-	SCREW; M6X25 BUTTON SOCKET SS304	1
9	523031	-	WASHER; FLAT M6 ZP	1
10	521810	-	SCREW; CAP M6X12 BUTTON ALLEN BLK	6
11	598660	-	DD GLASS ROPE BOTTOM	1.34

When ordering PLEASE QUOTE PART ID, MODEL Number & DESCRIPTIONS, NOT ITEM Number
determining left hand side from viewing position

SIDE PANEL ASSEMBLY



VIEW ON ARROW A

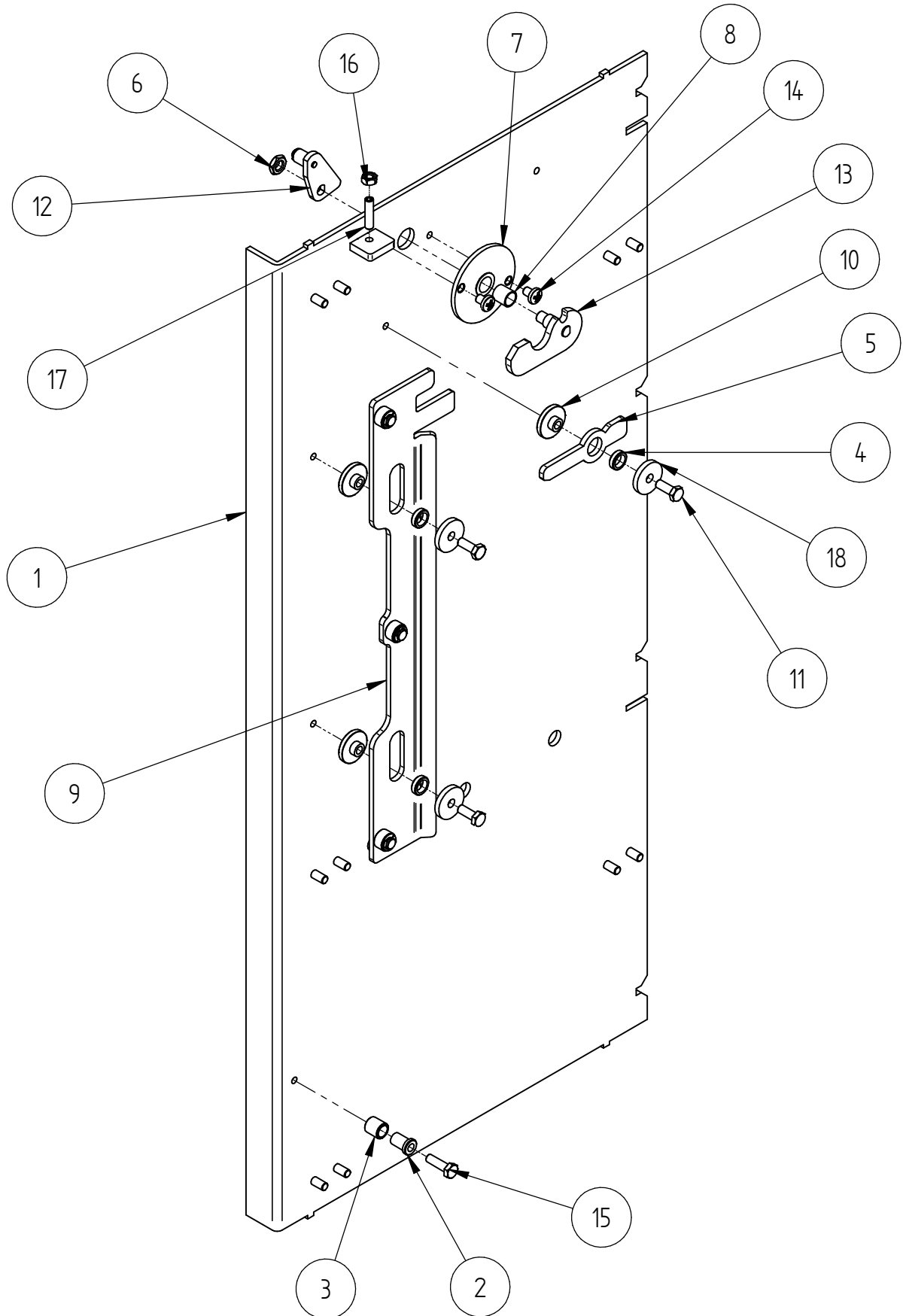


When ordering PLEASE QUOTE PART ID, MODEL Number & DESCRIPTIONS, NOT ITEM Number
determining left hand side from viewing position

SIDE PANEL ASSEMBLY : 998642				
Item	Part ID	Model(s)	Description	Qty
		998951		
1	598590	-	DAMPER SIDE PANEL MOUNT	1
2	524038	-	RIVET; 73 STST 4-3 (S/S)	4
3	593598	-	13000 DOOR HANDLE FRONT RH PLASTIC	1
4	593599	-	DOOR HANDLE REAR L/H PLASTIC	1
5	521705	-	SCREW; GRUB M6X8 ALLEN BLK	1
6	598647	-	DD OPEN/CLOSE BADGE	1
7	598598	-	TEFLOW BUSH 14X20	1
8	998457	V02	DD SIDE PANEL R/H	1
9	521650	-	SCREW; 8GX5/8" S/S TYPE 25 C/S POZI	2
10	998636	-	DD DAMPER HANDLE	1
11	598648	-	DAMPER INSTRUCTION LABEL	1
12	523106	-	WASHER; WAVE - W61430R	2
13	521019	-	SCREW; M4X5 PAN POZI ZP	2
14	525015	-	PIN; TENSION 6X16 BLK	1
15	598592	-	DAMPER SIDE PANEL SHAFT	1

When ordering PLEASE QUOTE PART ID, MODEL Number & DESCRIPTIONS, NOT ITEM Number
determining left hand side from viewing position

DOOR MECHANISM

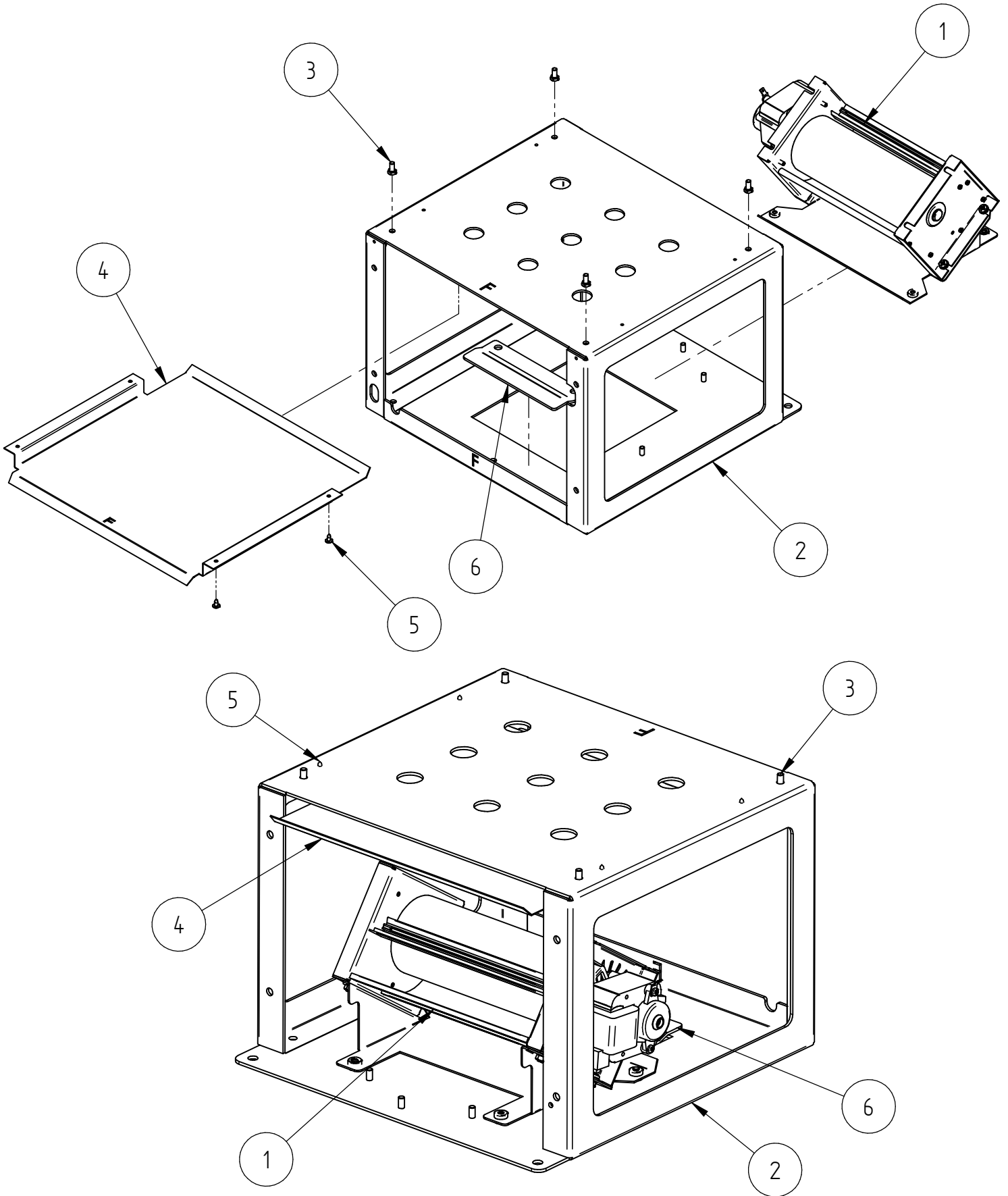


When ordering PLEASE QUOTE PART ID, MODEL Number & DESCRIPTIONS, NOT ITEM Number
determining left hand side from viewing position

DOOR MECHANISM				
Item	Part ID	Model(s)	Description	Qty
		998951		
1	998002	-	DD FIREBOX ASSY	1
2	598580	-	DOOR CATCH BUSH	1
3	598579	-	DOOR CATCH ROLLER	1
4	598474	-	LOCKING PLATE ROLLER	3
5	998470	-	DD INTERLOCK PAWL	1
6	522119	-	NUT; HEX HALF M8 ZP	1
7	598588	-	DAMPER FIREBOX MOUNT	1
8	598599	-	TEFLON BUSH 12X2	1
9	998652	-	DD LOCKING PLATE	1
10	598475	-	LOCKING PLATE BUSH	3
11	521076	-	SCREW; M6X16 HEX ZP	3
12	998655	-	DD DAMPER LEVER COMPLETE	1
13	998634	-	DD STOP MECHANISM COMPLETE	1
14	521063	-	SCREW; M6X8 PAN POZI ZP	2
15	521054	-	SCREW; M6X20 HEX ZP	1
16	522117	-	NUT; HEX STD M6 ZP	1
17	521704	-	SCREW; GRUB M6X25 ALLEN BLK	1
18	998667	-	DD LOCKING PLATE SPACER	3

When ordering PLEASE QUOTE PART ID, MODEL Number & DESCRIPTIONS, NOT ITEM Number
determining left hand side from viewing position

PEDESTAL AND FAN ASSEMBLY



When ordering PLEASE QUOTE PART ID, MODEL Number & DESCRIPTIONS, NOT ITEM Number
determining left hand side from viewing position

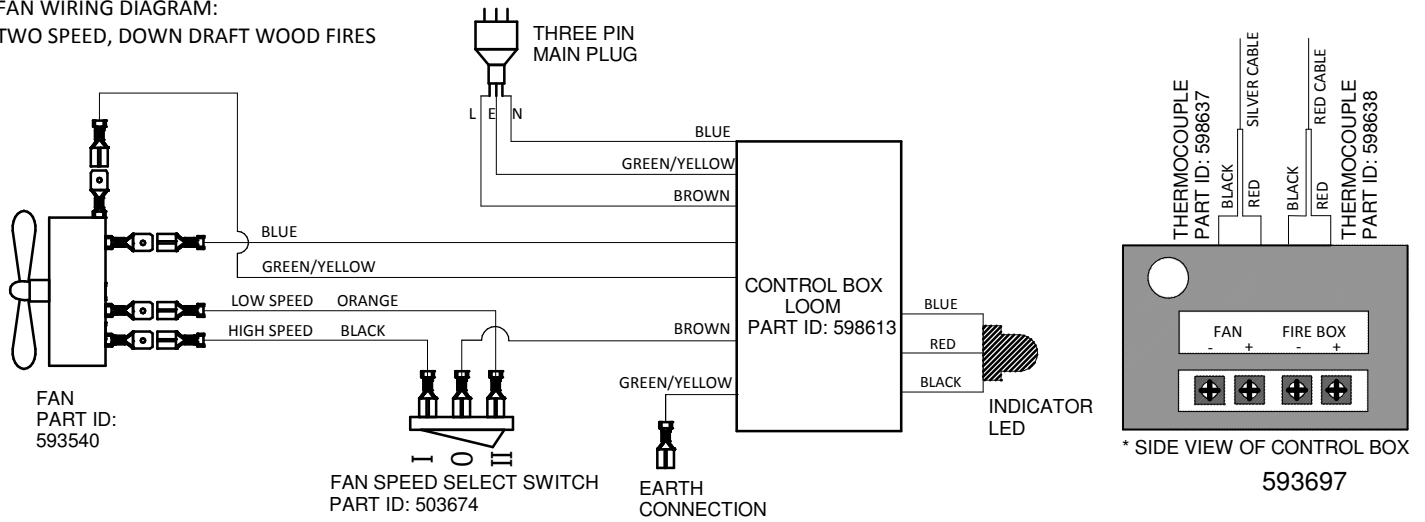
PEDESTAL 998574 AND FAN 998528 ASSEMBLY				
Item	Part ID	Model(s)	Description	Qty
		998951		
1	998528	-	FAN SUB ASSEMBLY	1
2	998574	V02	PEDESTAL WELDING ASSEMBLY	1
3	521075	-	SCREW; M6X12 HEX ZP	4
4	998548	-	DD BASE HEAT SHIELD	1
5	521627	-	SCREW; S/T 8GX3/8" MUSH FLANGE POZI BLK	4
6 *	998639	V02	DD SEISMIC BRACKET MET BLK VHT	1

* 998639 - SEISMIC BRACKET IS PACKED LOOSE ALONG WITH THE FIRE

FAN LOOM DIAGRAM

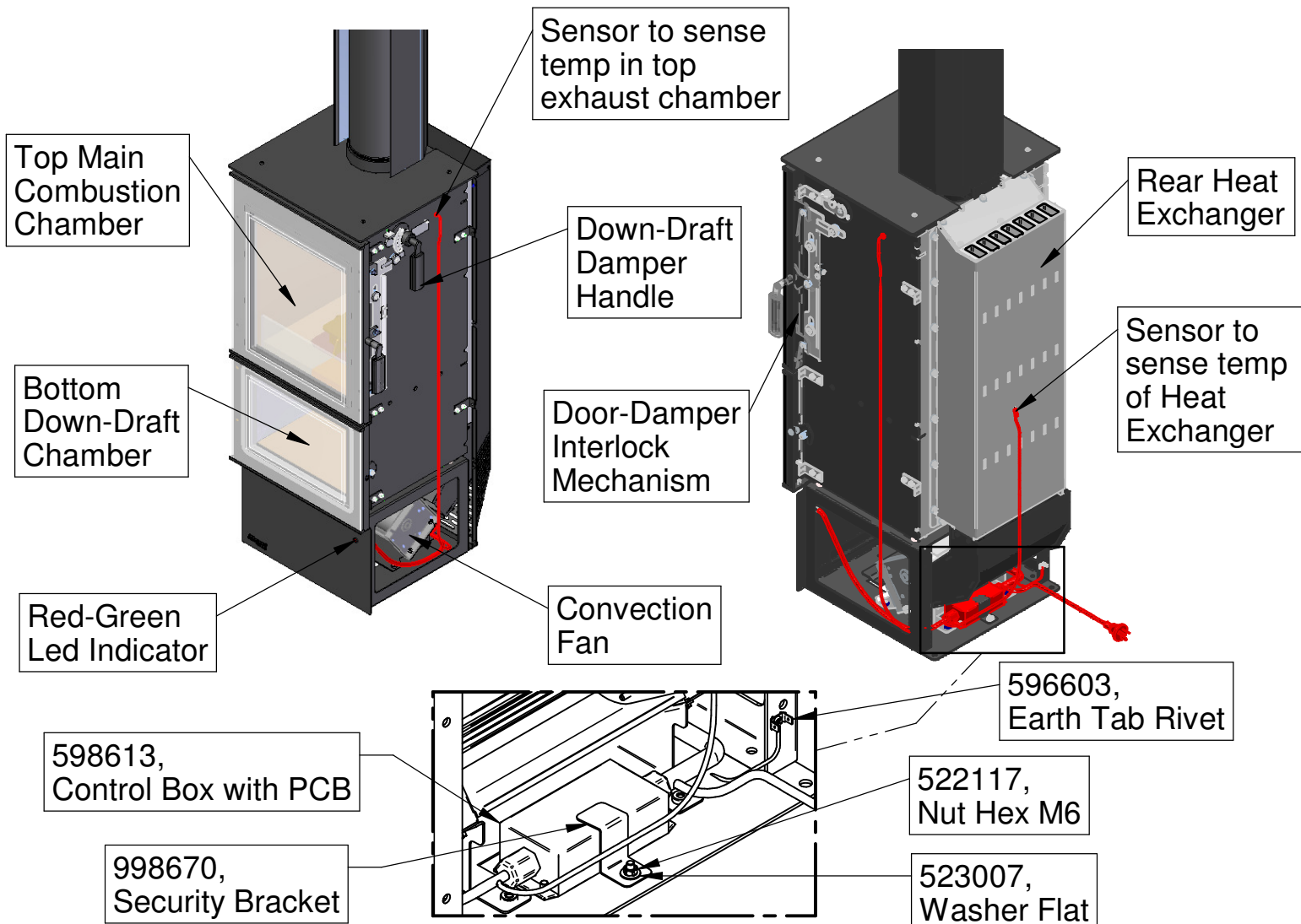
FAN WIRING DIAGRAM:

TWO SPEED, DOWN DRAFT WOOD FIRES



Note: This circuit diagram label is behind the bottom front panel 6 shown on page 3

ELECTRICAL AND ELECTRONICS COMPONENTS



When ordering PLEASE QUOTE PART ID, MODEL Number & DESCRIPTIONS, NOT ITEM Number
determining left hand side from viewing position

NOT ILLUSTRATED				
Item	Part ID	Models	Descriptions	Qty
		998951		
1	598640	-	INSTALLATION AND OPERATIONS MANUAL	1
2	998628	-	DD DOUBLE FLUE SHIELD	1
3	591318	-	KEY-ALLEN 4 MM	1

SURFACE FINISH CODES FOR PANELS						
VITREOUS ENAMEL		VHT PAINT(Very High Temp)			POWDER COAT	
E01	MATT BLACK	V02	P-000022	METALLIC BLACK	P02	MATT BLACK
E02	GLOSS BLACK	V03	P-000043	CHARCOAL	P03	CHARCOAL
E03	CHARCOAL	V04	P-000081	TITANIUM	P05	SATIN BLACK
		V05	P-000051	CHARCOAL (DAM MET BLK)	P09	METTALIC BLACK
		V06	P-000052	METALLIC BLACK ZINC		
LESS FREQUENTLY OR OLD SURFACE FINISH CODES FOR PANELS						
VITREOUS ENAMEL		VHT PAINT(Very High Temp)			POWDER COAT	
E04	JASMINE	V01		SATIN BLACK HIGH TEMP	P01	BLUE/BLACK
					P04	GLOSS CHARCOAL
					P07	FLAT BLACK

When ordering PLEASE QUOTE PART ID, MODEL Number & DESCRIPTIONS, NOT ITEM Number
determining left hand side from viewing position